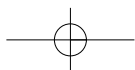
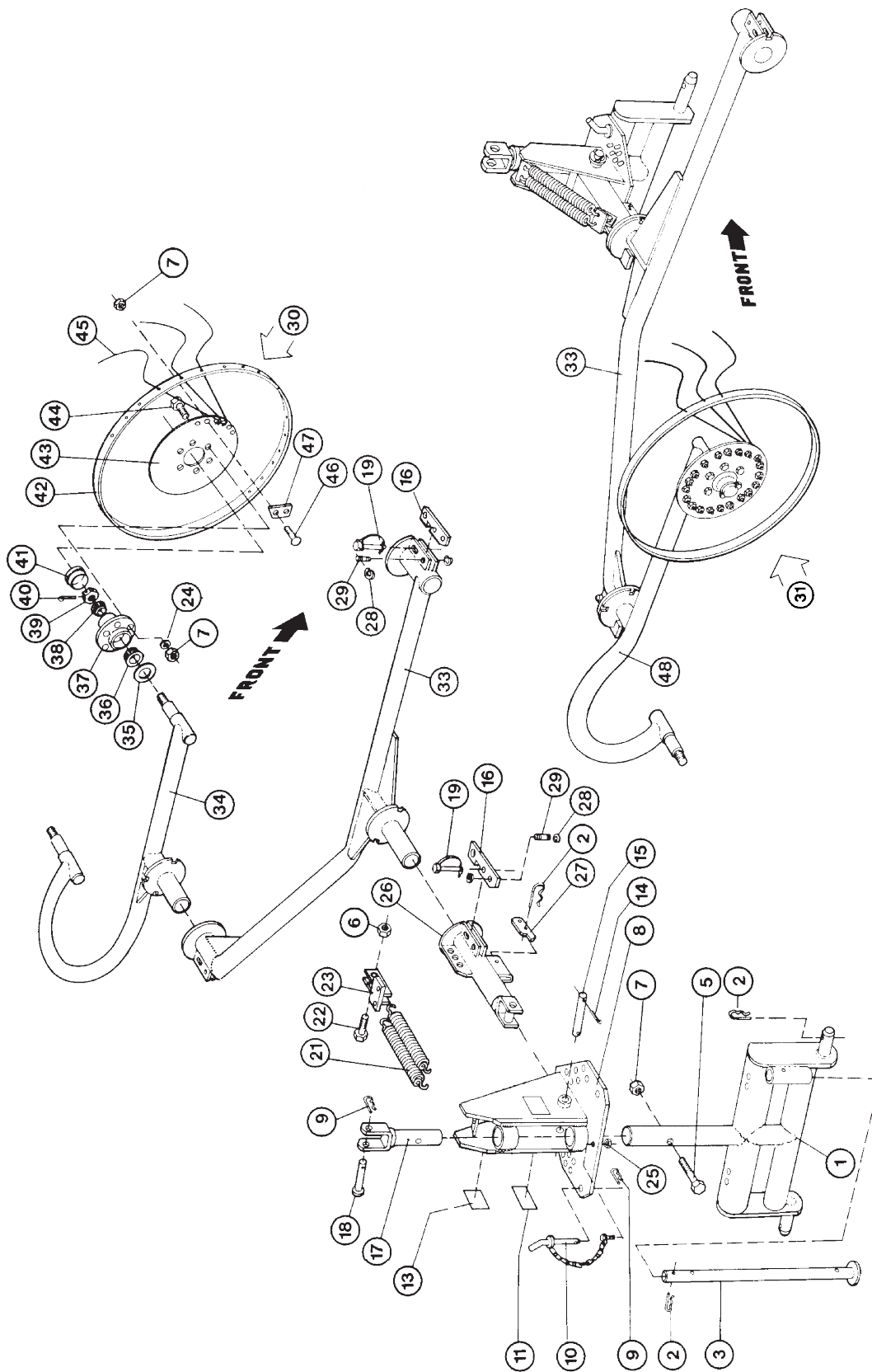


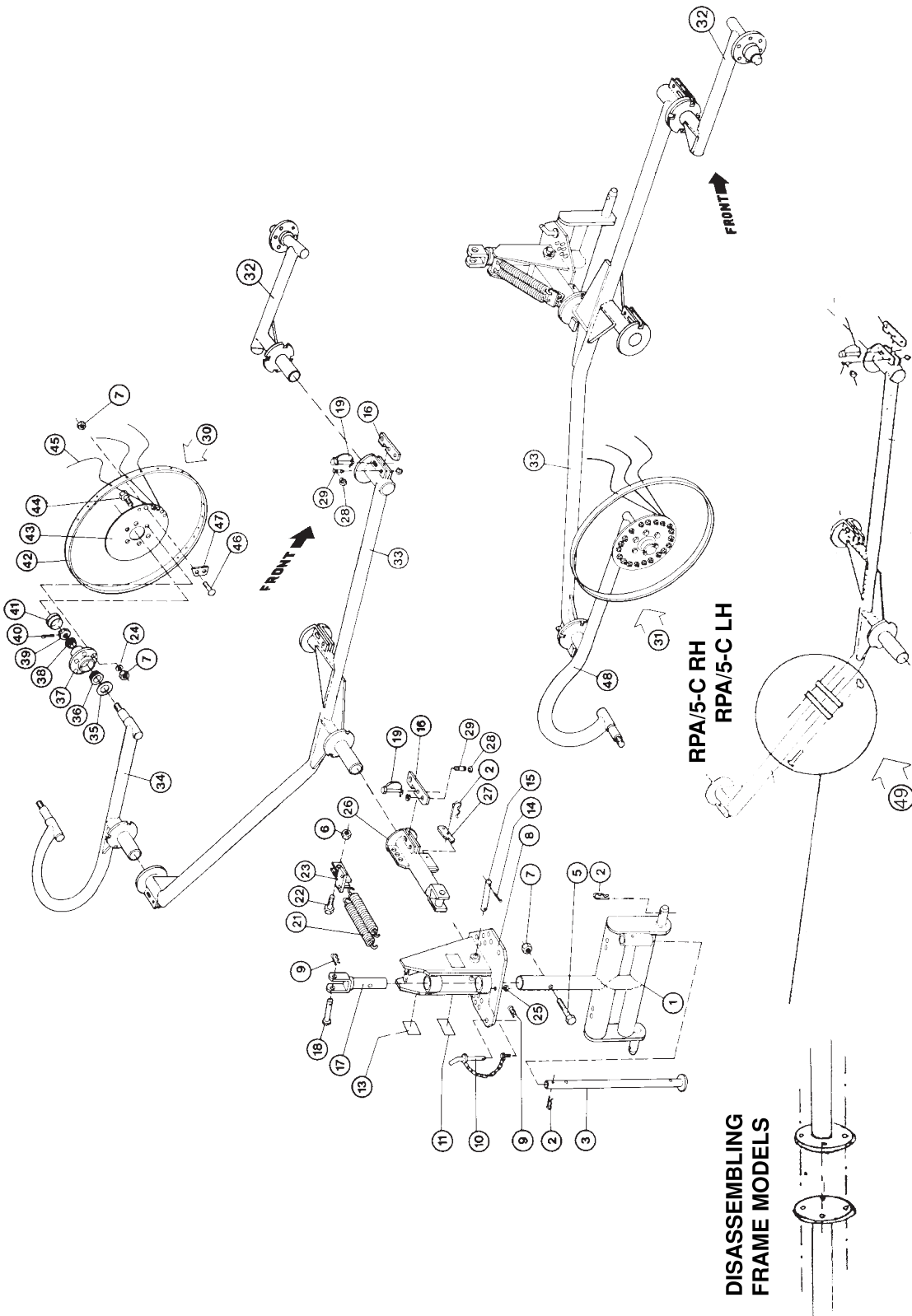
PARTS LIST





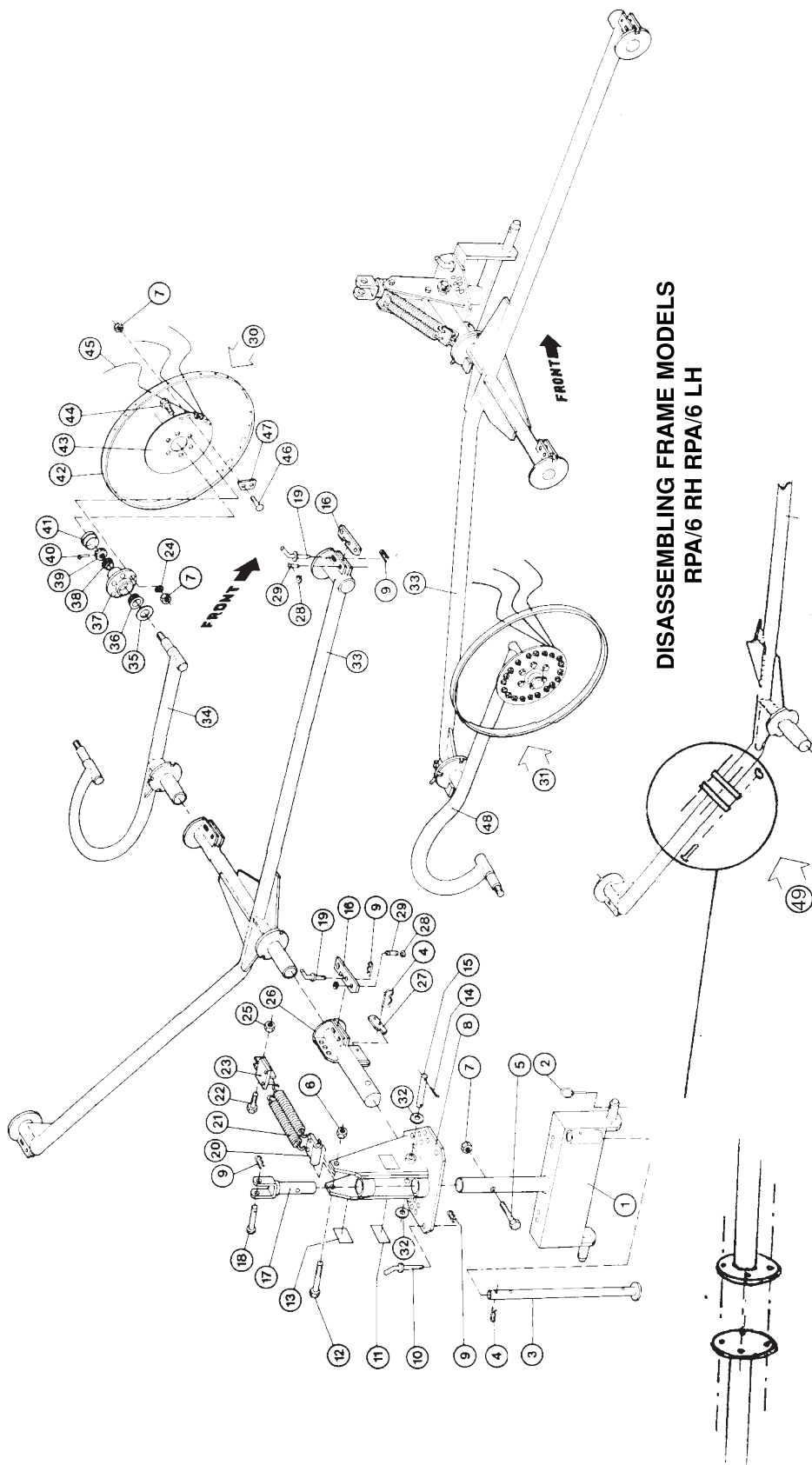
**WHEEL RAKES & V-RAKES
MODELS RP4 RH, RP4 LH, RP8
PART LIST**

Item	Part No.	Description	Qty.	Item	Part No.	Description	Qty.
1	RP000302	3-Point Base	1	28	RP000344	Retaining Ring	6
2	RP000342	Hairpin Cotter, .178x3 9/16"	4	29	RP000345	Pin, M20	3
3	RP000335	Stand	1	30	RP000376	Complete Wheel, LH	4
5	RP000374	Hex Capscrew, M10x1.5x90, GR 8.8	1	31	RP000377	Complete Wheel, RH	4
6	RP000351	Hex High Nut, M12x1.75	1	33	RP000309	Main Frame, 4 Wheel Models	1
7	RP000375	Hex High Nut, M10x1.5	105	34	RP000308	Dual Wheel Arm, LH	2
8	RP000303	Sector Support	1	35	RP000361	Seal	4
9	RP000356	Hairpin Cotter, .148x3 5/16"	1	36	RP000362	Inner Bearing	4
10	RP000338	3-Point Pin w/Chain	1	37	RP000363	Hub	4
11		Decal	2	38	RP000364	Outer Bearing	4
13		Decal, Caution Operating	1	39	RP000365	Low Hex Castle Nut, M18x1.5	4
14	RP000340	Cotter Pin, M5x32	2	40	RP000380	Cotter Pin, 3.2x32	4
15	RP000339	Sector Support Pin	1	41	RP000366	Hub Cap	4
16	RP000343	Lever Plate	3	42	RP000311	Rim	4
17	RP000305	3-Point Cap	1	43	RP000312	Flange	4
18	RP000357	3-Point Pin	1	44	RP000371	Hex Capscrew, M10x1.5x25, GR 8.8	24
19	RP000348	Snapper Safety Pin	3	45	RP000370	Tine, 7 mm	160
21	RP000352	Extension Spring	2	46	RP000369	Carriage Bolt, M10x1.5x25, GR4.6	80
22	RP000350	Hex Capscrew, M12x1.75x35, GR8.8	1	47	RP000367	Tine Clamp	40
23	RP000349	Lower spring Mount	1	48	RP000310	Dual Wheel Arm, RH	2
24	RP000373	Lockwasher, M10	24		RP000378	Weld-on Spindle	RP
25		Hex Nut, M6x1	1		RP000379	Hub & Spindle Assembly (Includes Spindle & Items 35,36,37,38,39,40,41,7,24 & 44)	RP
26	RP000304	Floating Arm	1				
27	RP000346	Floating Arm Plate	1				



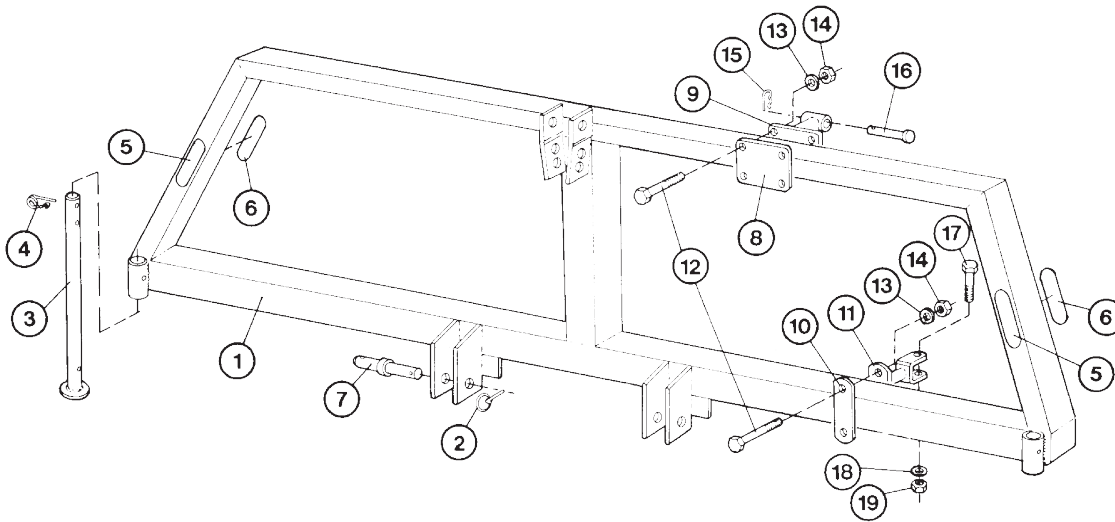
**WHEEL RAKES & V-RAKES
MODELS RP/5-C RH, RP/5-C LH E RP-10
PART LIST
DISASSEMBLING FRAME MODELS RPA/5-C RH RPA/5-C LH**

Item	Part No.	Description	Qty.
1	RP000302	3-Point Base	1
2	RP000342	Hairpin Cotter, .178x3 9/16"	4
3	RP000335	Stand	1
5	RP000374	Hex Capscrew, M10x1.5x90, GR 8.8	1
6	RP000351	Hex High Nut, M12x1.75	1
7	RP000375	Hex High Nut, M10x1.5	131
8	RP000303	Sector Support	1
9	RP000356	Hairpin Cotter, .148x3 5/16"	1
10	RP000338	3-Point Pin w/Chain	1
11		Decal	2
13		Decal, Caution Operating	1
14	RP000340	Cotter Pin, M5x32	2
15	RP000339	Sector Support Pin	1
16	RP000343	Lever Plate	3
17	RP000305	3-Point Cap	1
18	RP000357	3-Point Pin	1
19	RP000348	Snapper Safety Pin	3
21	RP000352	Extension Spring	2
22	RP000350	Hex Capscrew, M12x1.75x35, GR8.8	1
23	RP000349	Lower spring Mount	1
24	RP000373	Lockwasher, M10	30
25		Hex Nut, M6x1	1
26	RP000304	Floating Arm	1
27	RP000346	Floating Arm Plate	1
28	RP000344	Retaining Ring	8
29	RP000345	Pin, M20	4
30	RP000376	Complete Wheel, LH	5
31	RP000377	Complete Wheel, RH	5
32	RP000381	Single Wheel Arm	1
33	RP000306	Main Frame, 5 Wheel Models	1
34	RP000308	Dual Wheel Arm, LH	2
35	RP000361	Seal	5
36	RP000362	Inner Bearing	5
37	RP000363	Hub	5
38	RP000364	Outer Bearing	5
39	RP000365	Low Hex Castle Nut, M18x1.5	5
40	RP000380	Cotter Pin, 3.2x32	5
41	RP000366	Hub Cap	5
42	RP000311	Rim	5
43	RP000312	Flange	5
44	RP000371	Hex Capscrew, M10x1.5x25, GR 8.8	30
45	RP000370	Tine, 7 mm	200
46	RP000369	Carriage Bolt; M10x1.5x25, GR4.6	100
47	RP000367	Tine Clamp	80
48	RP000310	Dual Wheel Arm, RH	2
	RP000378	Weld-on Spindle	RP
	RP000379	Hub & Spindle Assembly (Includes Spindle & Items 35,36,37,38,39,40,41,7,24 & 44)	RP
49	RP000382	Disassembling main frame, 5 wheels Models	1



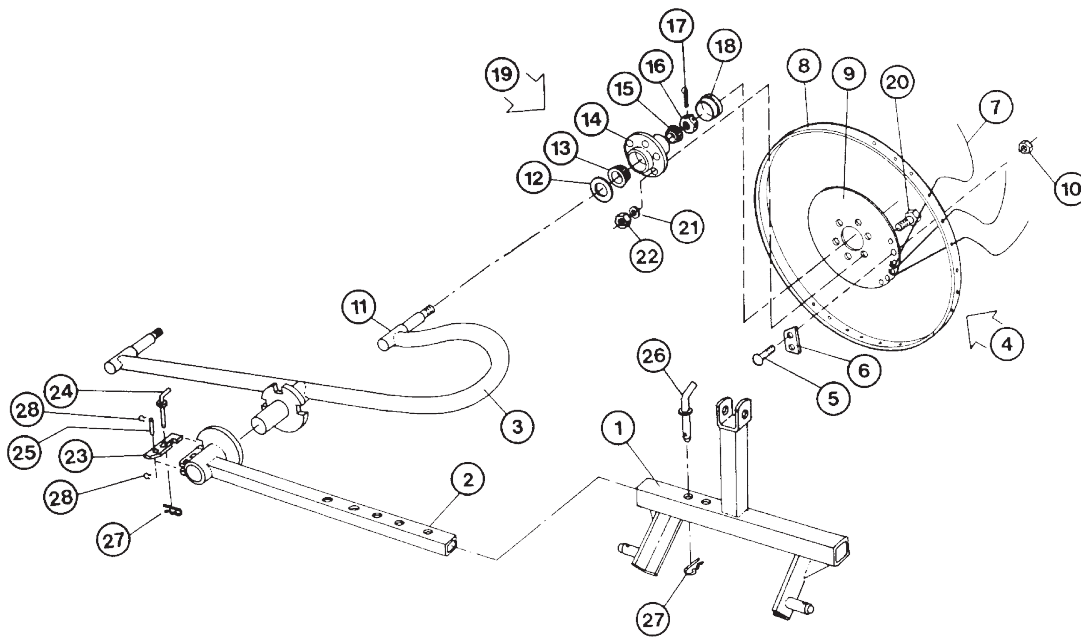
**WHEEL RAKES & V-RAKES
MODELS RP6 RH & RP-6 LH
PART LIST
DISASSEMBLING FRAME MODELS RPA/6 RH RPA/6 LH**

Item	Part No.	Description	Qty.
1	RP000302	3-Point Base	1
2	RP000336	Klick Pin	2
3	RP000335	Stand	1
4	RP000342	Hairpin Cotter, M5	2
5	RP000374	Hex Capscrew, M10x1.5x90, GR 8.8	1
6	RP000354	Hex Nut, M14x2	1
7	RP000375	Hex Nut, M10x1.5	157
8	RP000303	Sector Support	1
9	RP000356	Hairpin Cotter, M3	5
10	RP000338	3-Point Pin	1
11		Decal	2
12	RP000355	Hex Capscrew, M14x2x110, GR8.8	1
13		Decal, Caution Operating	1
14	RP000340	Cotter Pin, M6.3x40	2
15	RP000339	Sector Support Pin	1
16	RP000343	Lever Plate	4
17	RP000305	3-Point Cap	1
18	RP000357	3-Point Pin	1
19	RP000348	Lever Pin	4
20	RP000353	Upper Spring Mount	1
21	RP000352	Extension Spring	2
22	RP000350	Hex Capscrew, M12x1.75x30, GR8.8	1
23	RP000349	Lower spring Mount	1
24	RP000373	Lockwasher, M10	36
25		Hex Nut, M6x1	1
26	RP000304	Floating Arm	1
Item	Part No.	Description	Qty.
27	RP000346	Lock Plate	1
28	RP000344	Retaining Ring	8
29	RP000345	Pin	4
30	RP000376	3-Point Wheel Assembly, LH	6
31	RP000377	3-Point Wheel Assembly, RH	6
32	RP000383	Flatwasher, 7/8" SAE	2
33	RP000384	Main Frame, 6 Wheel Models	1
34	RP000308	Wheel Arm, LH	3
35	RP000361	Seal	6
36	RP000362	Inner Bearing	6
37	RP000363	Hub	6
38	RP000364	Outer Bearing	6
39	RP000365	Hex Castle Nut, M18x1.5	6
40	RP000380	Cotter Pin, M3.2x32	6
41	RP000366	Hub Cap	6
42	RP000311	Rim	6
43	RP000312	Flange	6
44	RP000371	Hex Capscrew, M10x1.5x25, GR 8.8	36
45	RP000370	Tine	240
46	RP000369	Carriage Bolt, M10x1.5x25, GR4.6	120
47	RP000367	Tine Clamp	60
48	RP000310	Wheel Arm, RH	3
	RP000378	Weld-on Spindle	RP
	RP000379	Hub & Spindle Assembly (Includes Spindle RP000378 & Items 35-41)	RP
49	RP000385	Disassembling main frame, 6 wheel Models	1



**WHEEL RAKES & V-RAKES
MODELS RP-8 & RP-10
V-RAKE FRAME
PARTS LIST**

Item	Part No.	Description	Qty.
1A	RP000301A	Main Frame - 8 Wheel V-Rake	1
1B	RP000301B	Main Frame - 10 Wheel V-Rake	1
2	RP000332	Klick Pin	2
3	RP000335	Stand	2
4	RP000334	Locking Spring Clip, M4	2
5		Yellow Oblong Reflector	2
6		Red Oblong Reflector	2
7	RP000333	Linkage Pin	2
8	RP000325	Third Point Upper Base Plate	2
9	RP000324	Third Point Upper Linkage Mount	2
10	RP000331	Third Point Lower Base Plate	4
11	RP000330	Third Point Lower Linkage Mount	4
12	RP000327	Mount Plate Bolt	16
13	RP000386	Lockwasher, M12	16
14	RP000326	Hex Nut, M12x1.75	16
15	RP000323	Hairpin, M5	2
16	RP000322	Third Point Pin	2
17	RP000328	Hex Capscrew, M16x2x70, GR8.8	2
18	RP000387	Lockwasher, M16	2
19	RP000329	Hex Nut, M16x2	2



WINDROW TURNER MODEL RP-2 PARTS LIST

Item	Part No.	Description	Qty.
1	RP000313	3-Point Frame	1
2	RP000314	Sliding Arm	1
3	RP000315	Wheel Arm, RH	1
4	RP000377	Wheel Assembly, RH	2
5	RP000369	Carriage Bolt, M10x1.5x25, GR4.6	40
6	RP000367	Tine Plate	20
7	RP000370	Tine	80
8	RP000311	Rim	2
9	RP000312	Flange	2
10	RP000368	High Hex Nut, M10x1.5	40
11	RP000378	Weld-on Spindle	2
12	RP000361	Seal	2
13	RP000362	Inner Bearing	2
14	RP000363	Wheel Hub	2
15	RP000364	Outer Bearing	2
16	RP000365	Low Hex Castle Nut, M18x1.5	2
17	RP000380	Cotter Pin, M3.2x32	2
18	RP000366	Hup Cap	2
19	RP000379	Hub & Spindle Assembly	2
20	RP000371	Hex Capscrew, M10x1.5x25, GR8.8	12
21	RP000373	Lockwasher, M10	12
22	RP000372	High Hex Nut, M10x1.5	12
23	RP000343	Lever Plate	1
24	RP000348	Lever Pin	1
25	RP000345	Pin	1
26	RP000319	Frame Pin	1
27	RP000320	Hairpin Cotter, M3	2
28	RP000344	Retaining Ring	2